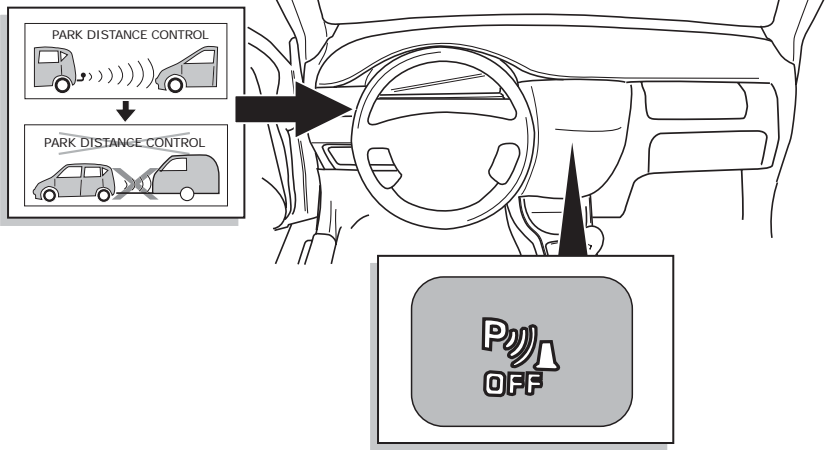
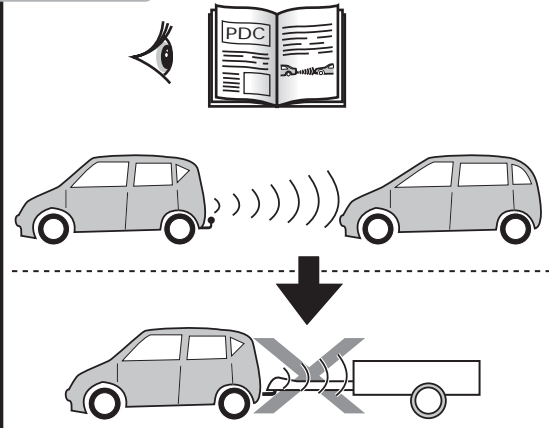


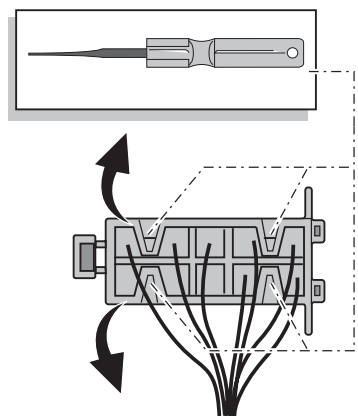
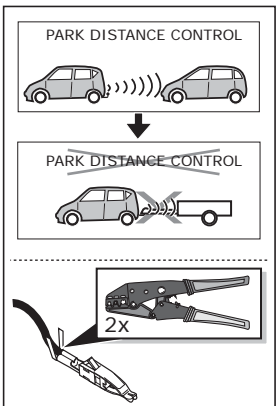
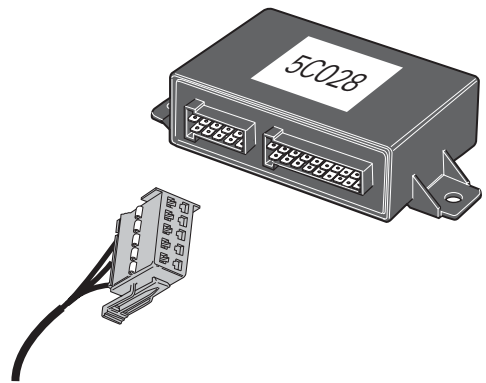
OPTION 1



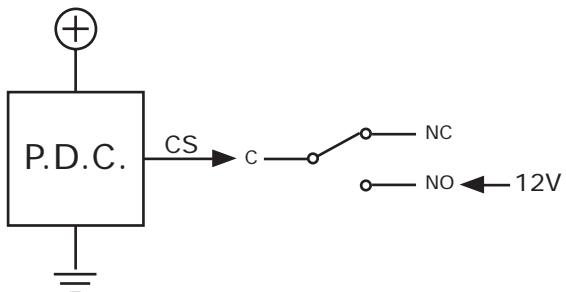
OPTION 2



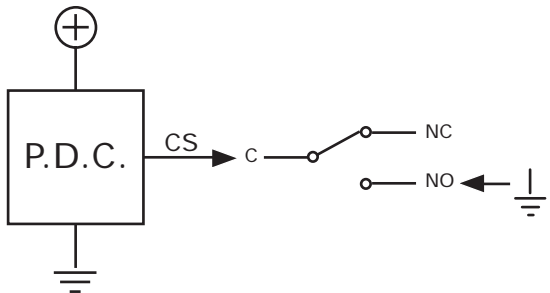
OPTION 2



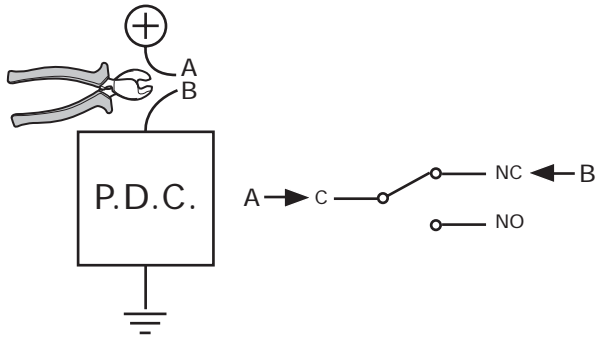
Option A



Option B



Option C



9 = C
5 = NO
7 = NC

