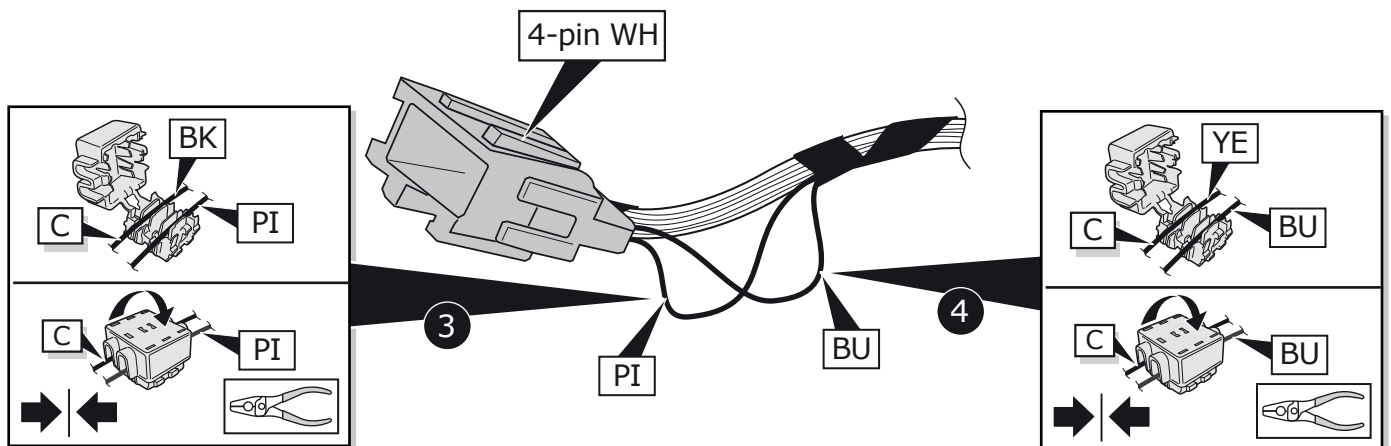
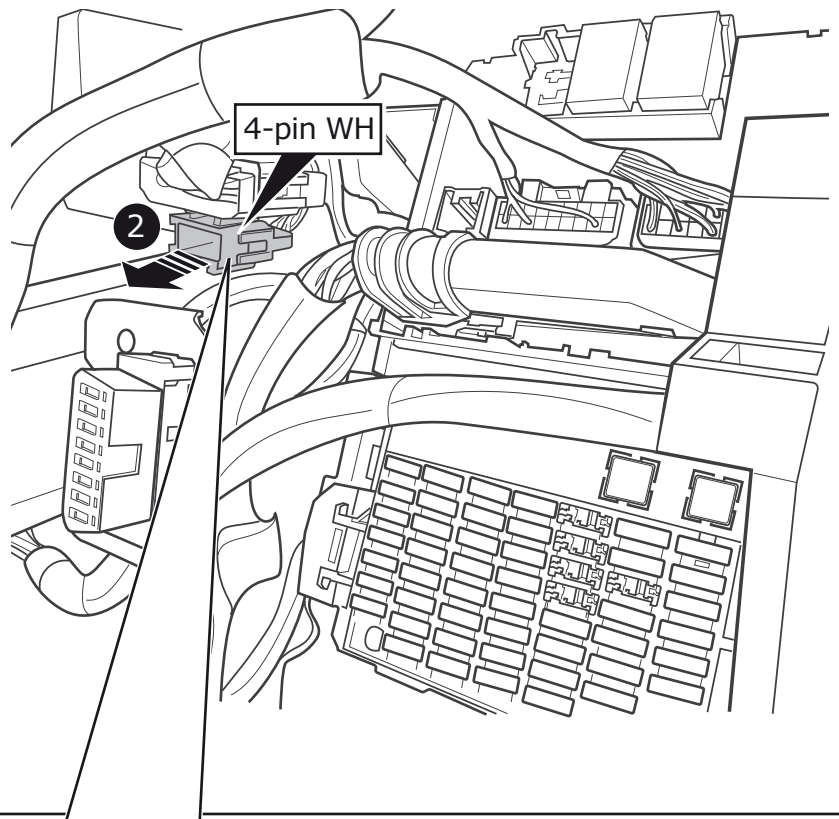
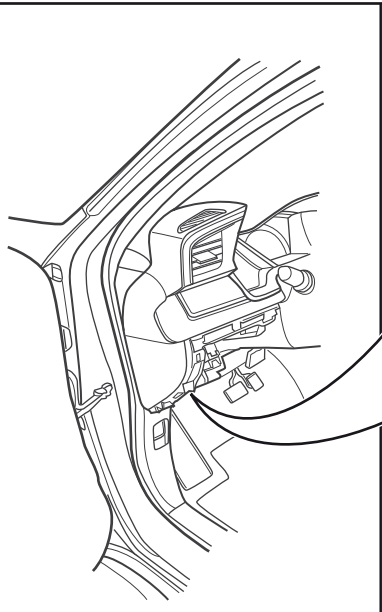
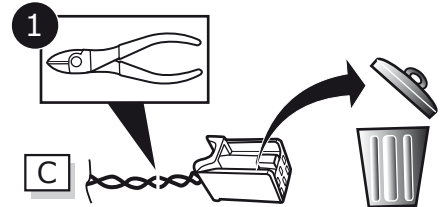
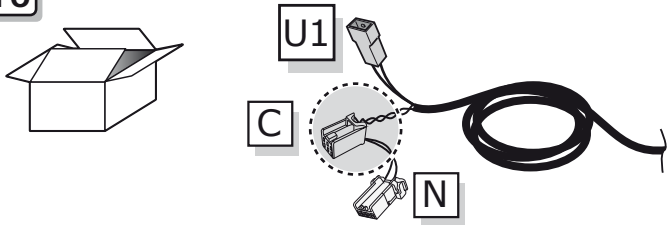
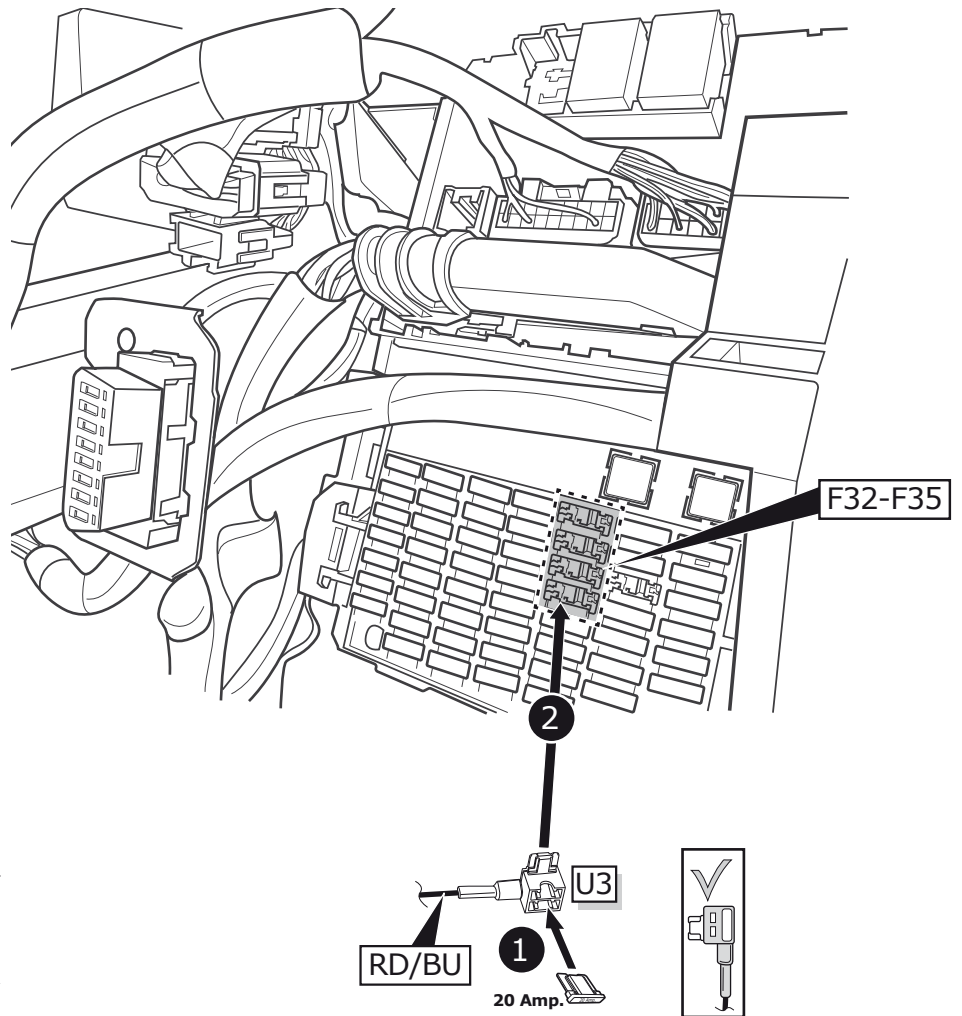
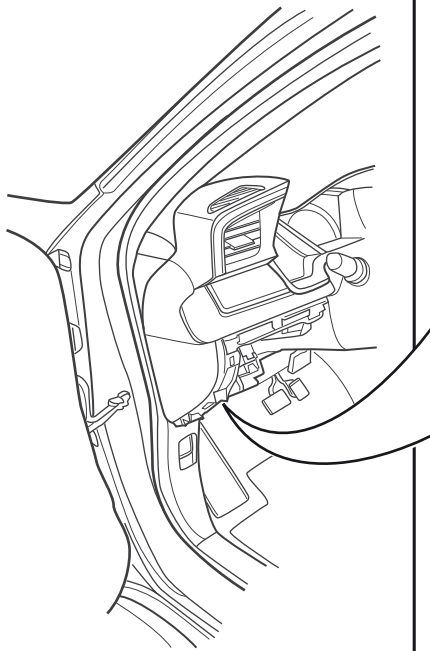


## Addendum for HN-868-D1 Civic (11) e:HEV Hatchback 10/2022 >>

**INFO**

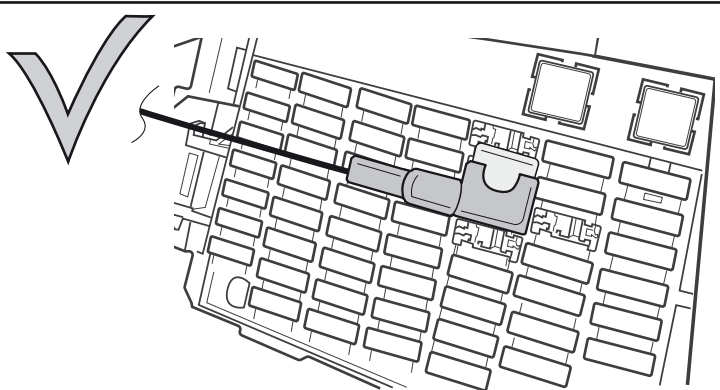


Civic (11)

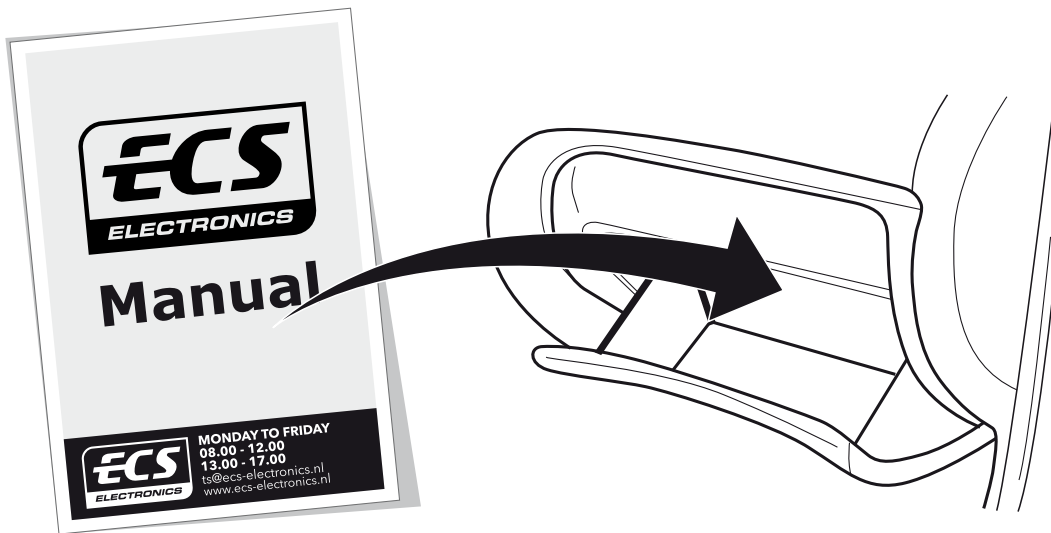
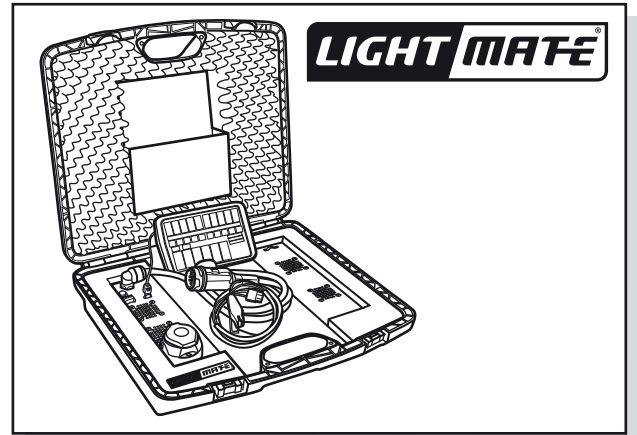
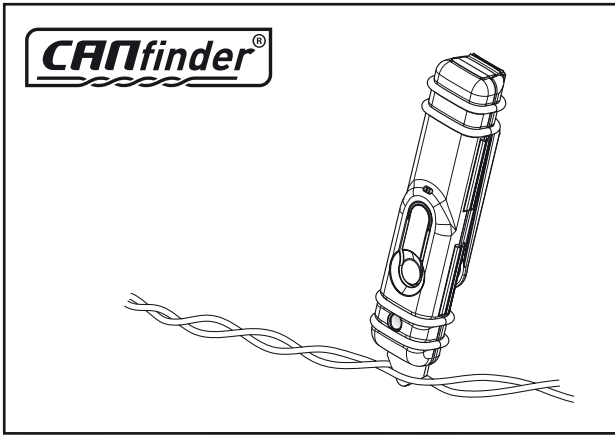


**Wichtig!**  
Die Sicherungsbrücke darf nicht in entgegengesetzter Richtung eingebaut werden!

**Important!**  
Please do not mount the fuse tap and its wiring output in the other direction!



**Products & Service:** <https://www.ecs-electronics.nl/test-equipment>



**FITTERS  
TECHNICAL  
SUPPORT**



**MONDAY TO FRIDAY  
08.00 - 12.00  
13.00 - 17.00**

ts@ecs-electronics.nl  
www.ecs-electronics.nl  
tel: +31 (0)76 573 0020